

Delivering Excellence



Pascal Valves	
sales@pascalvalves.in	
SIZE	4"
BODY/DISC	CF/CF8
SEAT	EPDM
STEM	SS410
RATING	PN10
SRL NO.	
Pascal Valves	

BUTTERFLY VALVE
CHECK VALVE

AN ISO 9001 : 2015 CERTIFIED COMPANY
ISI 13095 CERTIFIED COMPANY

“Leadership is the capacity to translate vision into reality” at **Pascal Valves** we are set our vision to delivering excellence.

Pascal valves is part of **Omval Controls Pvt. Ltd. Group** and made its presence in 2018 as a Butterfly Valves & Check Valves division. Pascal Valves is globally recognized marketing & manufacturing of Various Types Butterfly Valves & Check Valves etc with manufacturing operation in India supported by worldwide distribution network.

We are professionally managed ISO 9001:2015 & ISI 13095 approved firm. Perfection in design, stringent quality checks at every manufacturing stage. Unmatchable performance and prompt after sales and service are some of the salient features of our business. Pascal Valves provided maximum safety, reliability & suitability virtually in all branches of Industrial applications.

INDUSTRY WE SERVE

- Pharmaceutical Industry
- Chemical Industry
- Oil Industry
- Food Industry
- Water Supply
- Waste Water Treatment
- Fire Protection
- Gas Supply
- Petro Chemical & Refineries
- Power Plants
- Fertilizer Industry
- Paper & Pul Industry
- HVAC Line
- Solvent Extraction Industry
- Edible Oil Industry
- Dairy Industry
- Sugar Plant etc.
- Irrigation

INDEX

01 CENTRIC WAFER BODY BUTTERFLY VALVES

1.1 Centric Wafer Body Butterfly Valves Features	... 4
1.2 Material of Construction	... 5
1.3 Dimension Specification	... 6

02 CENTRIC LUG BODY BUTTERFLY VALVES

2.1 Centric Lug Body Butterfly Valve Features	... 7
2.2 Material of Construction.	... 8
2.3 Dimension Specification.	... 9

03 OPERATORS AVAILABILITY LEVER, GEAR, ACTUATOR ... 10

04 WAFER TYPE DISC CHECK VALVE

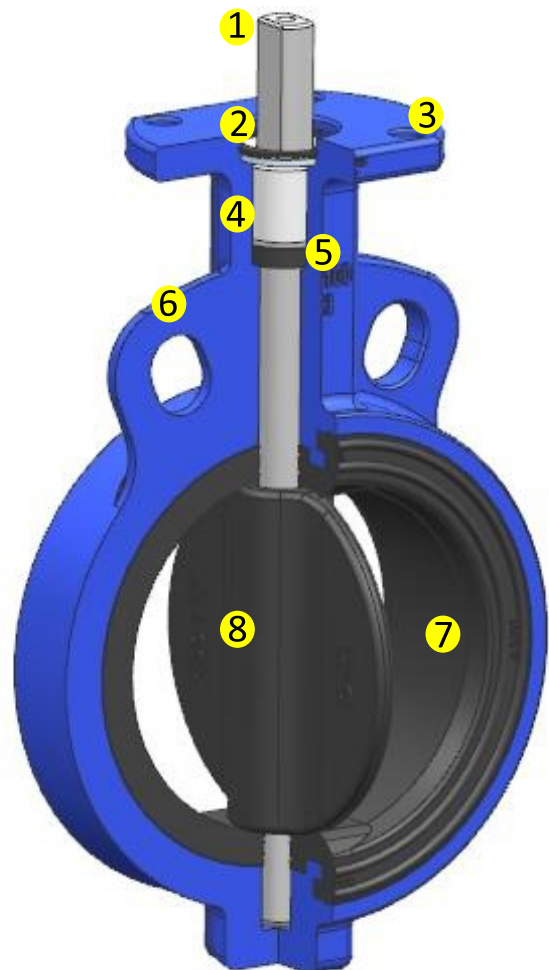
4.1 Wafer type Disc check valves features	... 11
4.2 Material of Construction.	... 11
4.3 Dimension Specification.	... 12

OUR PRODUCT RANGE

VALVE	TYPE	1.5"	2"	2.5"	3"	4"	5"	6"	8"	10"	12"	14"	16"	18"	20"	22"	24"
Butterfly Valve	Wafer	✓	✓	✓	✓	✓	✓	✓	✓	✓	✓	✓	✓	✓	✓	✓	✓
Butterfly Valve	Lug	✓	✓	✓	✓	✓	✓	✓	✓	✓	✓	✓	✓	✓	✓	✓	✓
Check Valve	Wafer	✓	✓	✓	✓	✓	✓	✓	✓	✓	✓	✓	✓	✓	✓	✓	✓

CENTRIC WAFER BODY **BUTTERFLY VALVE FEATURES**

1. **STEM** Precision double “D” disc to stem connection drives the disc without the need for screws or pins. The close tolerance, double “D” connection that drives the valve disc is an exclusive feature of the Pascal valve. Disassembly of the Pascal stem is just a matter of pulling the stem out of the disc.
2. **STEM RETAINING** : The stem is retained in the body by means of a unique stainless steel Spirolox retaining ring, manufactured from stainless steel as standard,
3. **Top plate** drilled to fit iso 5211 dimensions. All handles, gear operators and pneumatic actuators are designed to mount directly.
4. **STEM BUSHING** : An upper stem bushing, retained by a stainless steel ring, is provided to absorb actuator side thrusts and is PTFE as standard.
5. **STEM SEAL**: Double “U” cup seal design is self-adjusting and gives positive sealing in both directions. Keeps environmental contaminants from entering the stem bore.
6. **BODY**: One piece wafer or lug style allows for ease of assembly and maintenance.
7. **SEAT**: Pascal’s Replaceable tongue and groove seat design provides complete isolation of flowing media from the body. The seat also features a moulded o-ring which eliminates the need of flan gaskets.
8. **DISC/STEM**: One piece design. The disc edge is spherically machined and hand polished to produce a bubble tight shut off, minimum torque, and longer seat life. For erosion and abrasion resistance.



CENTRIC WAFER BODY BUTTERFLY VALVE



TECHNICAL SPECIFICATION

Design & Manufacturing Standards

API 609 / BS EN - 593 / IS13095 / ASME B16.5 ISO 7005

Testing Standard

API 598 / API6D / BSEN 12266-1

Valve face to face Dimension

Category A API 609 / IS13095 / ENS93 / ISOS752Tab5

MATERIAL OF CONSTRUCTION

BODY

Cast Iron, ASTM A126 Class B IS 210 FG 260
Ductile Iron, ASTM A 395 (60-40-18) WCB (CS)
ASTM A 216 Stainless Steel (CF8M/CF8) ASTM A 351M/351

DISC

Cast Iron, ASTM A126 Class B IS 210 FG 260 Ductile Iron,
ASTM A 395 (60-40-18) WCB (CS) ASTM A 216
Stainless Steel (CF8M/CF8) ASTM A 351M/351
Alluminium Bronze, Duplex, Super Duplex
***DISC also available with Rubber Lining in EBBONITE/
EPDM/NBR/NYLON/HYPLON (with Gurranted Spark
Test Pass)**

SEAT

EPDM / White EPDM (FOOD GRADE)
BUNA-N / White - BUNA N (Food Garde)
(NITRILE - NBR) Viton, Hyplon, Butyle, Silicon, Neoprene,
Natural Rubber

TOP Flange Drilling

ISO 5211

Flang Standard

DIN EN 1092-PN6, PN10, Class 150, Bs10
Tub DøE, IS6392, Tab 11/17, JIS 5K/10K

STEM

Stainless Steel ASTM A 479 TYPE 410
Stainless Steel ASTM A 276 TYPE 316
Stainless Steel ASTM A 276 TYPE 304
Duplex, Super Duplex, Monel, Bronze

STEM BUSHING : PTFE, ACETAL

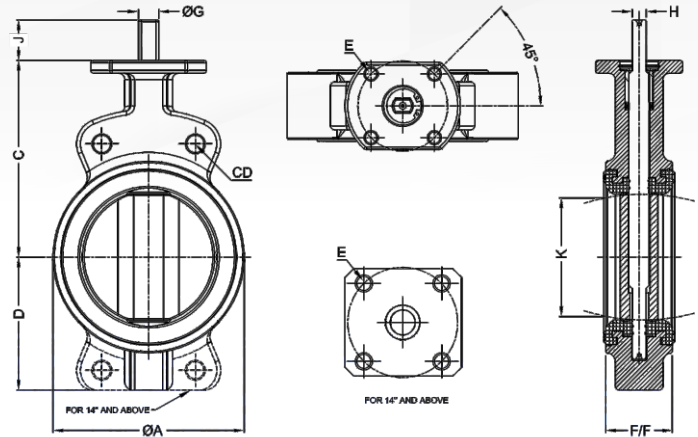
OIL SEAL (Stem Seal) : EPDM

WASHER : SS304

RETAINING CIRCLIP : SPRING STEEL

Note : Note : All Body and Disc are **IC** Cast from 1.5" (**DN40**) To 24" (**DN600**) Available. any other Special Material are also work on request for Body / Disc / Stem / Seat.

DIMENSION SPECIFICATION



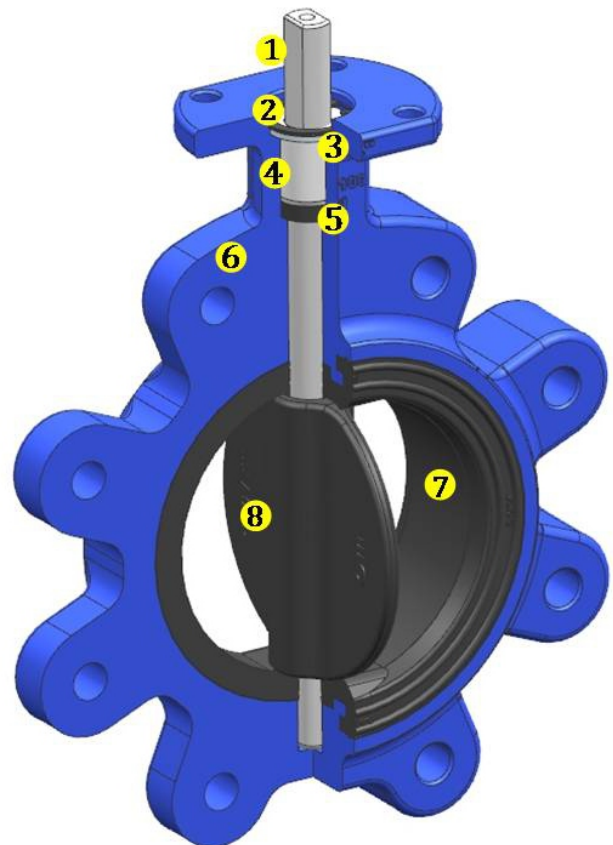
Valve Size		øA	F/F	C	D	Top Mounting Flange			øG	H	J	K	Bolting Dia	
Inch	DIN					E	No. of Holes	Hole Dia					ASME B16.5 CD	ISD 7005 CD
1.5	40	71.80	43.00	87.00	47.00	F05	4	8.00	12.00	8.00	30.00	-	98.40	110.00
2	50	91.00	43.00	113.00	59.00	F05	4	8.00	14.00	10.00	29.40	30.98	120.70	125.00
2.5	65	96.80	46.00	110.00	61.00	F05	4	8.00	14.00	10.00	30.00	48.741	139.70	145.00
3	80	116.80	46.00	128.00	73.00	F05	4	8.00	14.00	10.00	30.00	66.42	152.40	160.00
4	100	149.00	52.00	154.00	91.00	F07	4	9.00	16.00	11.00	31.40	90.64	190.50	180.00
5	125	168.90	56.00	169.00	105.00	F07	4	9.00	19.00	13.00	32.00	115.10	215.90	210.00
6	150	202.00	56.00	189.00	122.00	F07	4	9.00	19.00	13.00	30.00	140.23	241.30	240.00
8	200	250.00	60.00	214.00	146.00	F07/F10	4/4	9.00/11.00	22.00	16.00	30.00	189.53	298.50	295.00
10	250	308.00	68.00	251.00	185.00	F10	4	11.00	28.00	20.00	32.00	240.99	362.00	350.00
12	300	361.40	78.00	289.00	214.00	F10	4	11.00	30.00	22.00	32.00	289.68	431.80	400.00
14	350	413.00	78.00	340.00	262.00	F12	4	14.50	35.00	27.00	52.00	325.65	476.30	460.00
16	400	474.00	102.00	373.00	294.00	F12	4	14.50	35.00	27.00	52.00	374.88	539.80	515.00
18	450	528.00	114.00	407.00	319.00	F16	4	21.00	47.00	36.00	59.00	424.97	577.90	565.00
20	500	582.00	127.00	436.00	354.00	F16	4	21.00	49.00	36.00	59.00	473.25	635.00	620.00
22	550	634.00	127.00	464.00	381.00	F16	4	21.00	49.00	36.00	59.00	525.88	692.10	-
24	600	690.00	154.00	494.00	422.00	F16	4	21.00	59.00	46.00	80.00	571.61	749.30	725.00

Torque Rating(NM) for Rubber Line Wafer Butterfly Valve

VALVE	1.5"	2"	2.5"	3"	4"	5"	6"	8"	10"	12"	14"	16"	18"	20"	22"	24"	
Full Rated Pressure	3.5	7	7	13	14	29	44	58	102	164	269	351	418	659	768	996	1091
Valve ΔP Bar (PSI)	7	8	8	14	18	30	47	65	118	183	317	401	504	825	957	1295	1412
	10	8	8	14	18	30	48	66	122	198	337	450	585	989	1144	1684	1760
	12	12	12	18	23	34	53	73	131	218	369	540	702	1186	1373	2189	2288
	16	17	17	22	32	45	65	110	210	319	468	800	1025	1730	2002	2845	3080

CENTRIC LUG BODY **BUTTERFLY VALVE FEATURES**

1. **STEM** Precision double “D” disc to stem connection drives the disc without the need for screws or pins. The close tolerance, double “D” connection that drives the valve disc is an exclusive feature of the Pascal valve. Disassembly of the Pascal stem is just a matter of pulling the stem out of the disc.
2. **STEM RETAINING** : The stem is retained in the body by means of a unique stainless steel Spirolox retaining ring, manufactured from stainless steel as standard,
3. **Top plate** drilled to fit iso 5211 dimensions. All handles, gear operators and pneumatic actuators are designed to mount directly.
4. **STEM BUSHING** : An upper stem bushing, retained by a stainless steel ring, is provided to absorb actuator side thrusts and is PTFE as standard.
5. **STEM SEAL**: Double “U” cup seal design is self-adjusting and gives positive sealing in both directions. Keeps environmental contaminants from entering the stem bore.
6. **BODY**: One piece wafer or lug style allows for ease of assembly and maintenance.
7. **SEAT**: Pascal’s Replaceable tongue and groove seat design provides complete isolation of flowing media from the body. The seat also features a moulded o-ring which eliminates the need of flange gaskets.
8. **DISC/STEM**: One piece design. The disc edge is spherically machined and hand polished to produce a bubble tight shut off, minimum torque, and longer seat life. For erosion and abrasion resistance.



CENTRIC LUG BODY BUTTERFLY VALVE



TECHNICAL SPECIFICATION

Design & Manufacturing Standards

API 609 / BS EN - 593 / IS13095 / ASME B16.5 ISO 7005

Testing Standard

API 598 / API6D / BSEN 12266-1

Valve face to face Dimension

Category A API 609 / IS13095 / ENS93 / ISOS752Tab5

TOP Flange Drilling

ISO 5211

Flang Standard

DIN EN 1092-PN6, PN10, Class 150, Bs10
Tub DøE, IS6392, Tab 11/17, JIS 5K/10K

MATERIAL OF CONSTRUCTION

BODY

Cast Iron, ASTM A126 Class B IS 210 FG 260
Ductile Iron, ASTM A 395 (60-40-18) WCB (CS)
ASTM A 216 Stainless Steel (CF8M/CF8) ASTM A 351M/351

DISC

Cast Iron, ASTM A126 Class B IS 210 FG 260 Ductile Iron,
ASTM A 395 (60-40-18) WCB (CS) ASTM A 216
Stainless Steel (CF8M/CF8) ASTM A 351M/351
Alluminium Bronze, Duplex, Super Duplex
***DISC also available with Rubber Lining in EBBONITE/
EPDM/NBR/NYLON/HYPLON (with Gurranted Spark
Test Pass)**

SEAT

EPDM / White EPDM (FOOD GRADE)
BUNA-N / White - BUNA N (Food Garde)
(NITRILE - NBR) Viton, Hyplon, Butyle, Silicon, Neoprene,
Natural Rubber

STEM

Stainless Steel ASTM A 479 TYPE 410
Stainless Steel ASTM A 276 TYPE 316
Stainless Steel ASTM A 276 TYPE 304
Duplex, Super Duplex, Monel, Bronze

STEM BUSHING : PTFE, ACETAL

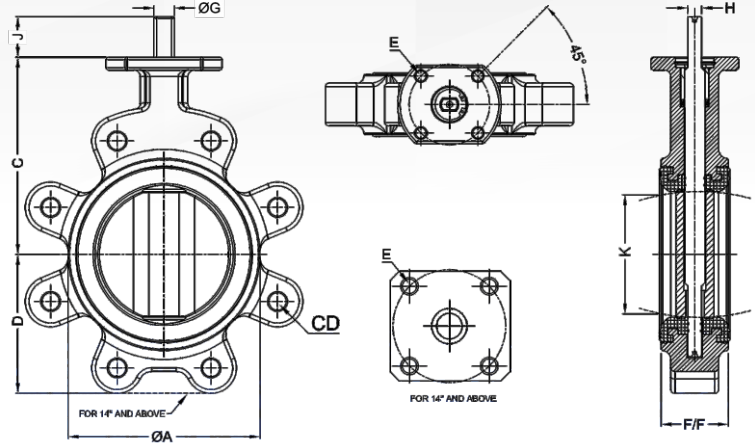
OIL SEAL (Stem Seal) : EPDM

WASHER : SS304

RETAINING CIRCLIP : SPRING STEEL

Note : Note : All Body and Disc are **IC** Cast from 1.5" (**DN40**) To 24" (**DN600**) Available. any other Special Material are also work on request for Body / Disc / Stem / Seat.

DIMENSION SPECIFICATION



Valve Size		ØA	F/F	C	D	Top Mounting Flange			ØG	H	J	K	Bolting Dia		
Inch	DIN					E	No. of Holes	Hole Dia					ASME B16.5 CD	No. of Holes	Threads UNC-2B
1.5	40	71.80	43.00	87.00	47.00	F05	4	8.00	12.00	8.00	30.00	-	98.40	4	1/2-13
2	50	91.00	43.00	113.00	59.00	F05	4	8.00	14.00	10.00	29.40	30.98	120.70	4	5/8-11
2.5	65	96.80	46.00	110.00	61.00	F05	4	8.00	14.00	10.00	30.00	48.741	139.70	4	5/8-11
3	80	116.80	46.00	128.00	73.00	F05	4	8.00	14.00	10.00	30.00	66.42	152.40	4	5/8-11
4	100	149.00	52.00	154.00	91.00	F07	4	9.00	16.00	11.00	31.40	90.64	190.50	8	5/8-11
5	125	168.90	56.00	169.00	105.00	F07	4	9.00	19.00	13.00	32.00	115.10	215.90	8	3/4-10
6	150	202.00	56.00	189.00	122.00	F07	4	9.00	19.00	13.00	30.00	140.23	241.30	8	3/4-10
8	200	250.00	60.00	214.00	146.00	F07/F10	4/4	9.00/11.00	22.00	16.00	30.00	189.53	398.50	8	3/4-10
10	250	308.00	68.00	251.00	185.00	F10	4	11.00	28.00	20.00	32.00	240.99	362.00	12	7/8-9
12	300	361.40	78.00	289.00	214.00	F10	4	11.00	30.00	22.00	32.00	289.68	431.80	12	7/8-9
14	350	413.00	78.00	340.00	262.00	F12	4	14.50	35.00	27.00	52.00	325.65	476.30	12	1-8
16	400	474.00	102.00	373.00	294.00	F12	4	14.50	35.00	27.00	52.00	374.88	539.80	16	1-8
18	450	528.00	114.00	407.00	319.00	F16	4	21.00	47.00	36.00	59.00	424.97	577.90	16	1 1/8-7
20	500	582.00	127.00	436.00	354.00	F16	4	21.00	49.00	36.00	59.00	473.25	635.00	20	1 1/8-7
22	550	634.00	127.00	464.00	381.00	F16	4	21.00	49.00	36.00	59.00	525.88	692.10	20	1 1/4-7
24	600	690.00	154.00	494.00	422.00	F16	4	21.00	59.00	46.00	80.00	571.61	749.30	20	1 1/4-7

Torque Rating(NM) for Rubber Line Lug Butterfly Valve

VALVE	1.5"	2"	2.5"	3"	4"	5"	6"	8"	10"	12"	14"	16"	18"	20"	22"	24"	
Full Rated Pressure	3.5	7	7	13	14	29	44	58	102	164	269	351	418	659	768	996	1091
Valve ΔP Bar (PSI)	7	8	8	14	18	30	47	65	118	183	317	401	504	825	957	1295	1412
	10	8	8	14	18	30	48	66	122	198	337	450	585	989	1144	1684	1760
	12	12	12	18	23	34	53	73	131	218	369	540	702	1186	1373	2189	2288
	16	17	17	22	32	45	65	110	210	319	468	800	1025	1730	2002	2845	3080

OPERATORS



BARE SHAFT

Valve up to Size 24" for customizes Operating System available in Different Shape & Size Stem Direct Mounting



LEVER

Valve up to 12" Size Depending on pressure rating can be supplied with lever handles for manual operation. Pad locking can also be provided for preventing unauthorized operation.



GEAR

Valve up to 24" Size can be direct mounted with gear operators for manual operation gear operates can be attached with chain wheel operators for opening or closing valves located on pipe lines at high elevators.



ACTUATOR

Au valves can be direct mounted with pneumatic Actuator or Electric Actuators and access for complete automation options controlled valves can be mounted with manual override.

SEAT SELECTION GUIDE

Seat Type	Temperature Range		Media
	Max	Max	
EPDM / White EPDM	-20° F (-29°C)	302°F (150°C)	Water+Steam+Chemical Oils All Oils Hot Air Application & All Food Ind. Goods Whether Resistance
Buna-N / White Buna-N (Nitrile)	0°F (-18°C)	212°F (100°C)	
Viton (FKM)	0°F (-18°C)	392°F (200°C)	
Silicon	0°F (-18°C)	392°F (200°C)	
Neoprene	0°F (-18°C)	240°F (120°C)	Moderate Oil Resistant All Oils
Viton Extreme	0°F (-18°C)	536°F (280°C)	

WAFER TYPE DISC CHECK VALVE FEATURES



TECHNICAL SPECIFICATION

Design & Manufacturing Standards

API 609 / BS EN - 593 / IS13095 / ASME B16.5 ISO 7005

Testing Standard

API 598 / API6D / BSEN 12266-1

Valve face to face Dimension

Category A API 609 / IS13095 / ENS93 / ISOS752Tab5

TOP Flange Drilling

ISO 5211

Flang Standard

DIN EN 1092-PN6, PN10, Class 150, Bs10
Tub DøE, IS6392, Tab 11/17, JIS 5K/10K

MATERIAL OF CONSTRUCTION

BODY :

Cast Iron, ASTM A126, IS210, FG200, Ductile Iron, ASTM A395 (60-40-18)
Carbon Steel, ASTM 216 GSB, Stainless Steel ASTM A351M/351
CF8, CF8M

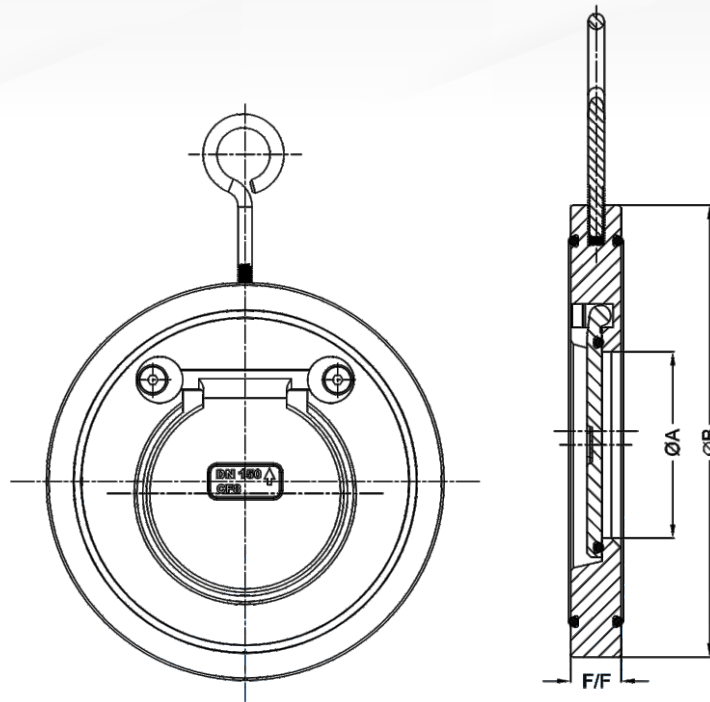
DISC : DI, CF8, CF8M, Al Bron, Duplex, Super Duplex.

O RING : EPDM, Buna-N, Viton, Hyplon, Butyle, Silicon, Neoprene, PTFE

EYE BOLT : MS, SS

Note : Steel, Stainless Steel, Duplex, Super Duplex, Alluminium Bronze, also available in Body & Disc on 1.5" (Dn40) to 24" (DN600)

DIMENSION SPECIFICATION

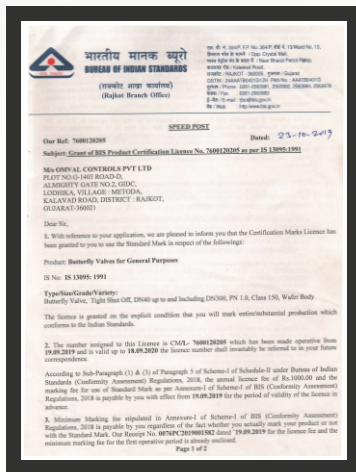


Valve Size		ϕA	F/F	ϕB				
Inch	DIN			PN10	PN16	BS10-D	BS10-E	ANSI #150
1.25	32	18.00	19.00	81.00	81.00	72.00	72.00	74.00
1.5	40	22.00	19.00	93.00	93.00	86.00	86.00	83.00
2	50	30.00	19.00	108.00	108.00	97.00	97.00	102.00
2.5	65	40.00	19.00	128.00	128.00	110.00	110.00	121.00
3	80	52.00	19.00	143.00	143.00	129.00	129.00	134.00
4	100	71.00	19.00	163.00	163.00	161.00	161.00	172.00
5	125	93.00	19.00	193.00	193.00	193.00	193.00	194.00
6	150	114.00	19.00	219.00	219.00	218.00	215.00	220.00
8	200	157.00	29.00	274.00	274.00	274.00	272.00	277.00
10	250	195.00	29.00	329.00	329.00	335.00	335.00	337.00
12	300	230.00	38.00	379.00	385.00	385.00	383.00	407.00
14	350	270.00	44.00	438.00	444.00	446.00	446.00	448.00
16	400	310.00	51.00	489.00	496.00	496.00	496.00	512.00
18	450	360.00	60.00	538.00	555.00	559.00	559.00	545.00
20	500	406.00	64.00	593.00	616.00	616.00	616.00	602.00
22	550	450.00	64.00	-	-	-	-	656.00
24	600	490.00	70.00	695.00	733.00	727.00	724.00	714.00

CERTIFICATE



CERTIFICATE OF INCORPORATION



ISI 13095 CERTIFICATE



ISO 9001:2015 CERTIFICATE



CERTIFICATE OF IMPORT-EXPORT



UDHYOG AADHAR CERTIFICATE



UDHYAM REG. CERTIFICATE



FACTORY



VALVE ASSEMBLY



TURNING



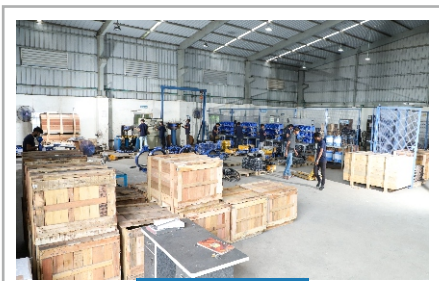
TURNING



VALVE ASSEMBLY



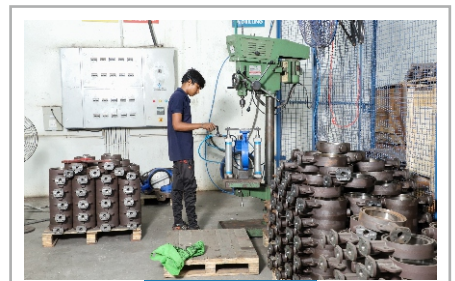
PRODUCTION



WORKSHOP



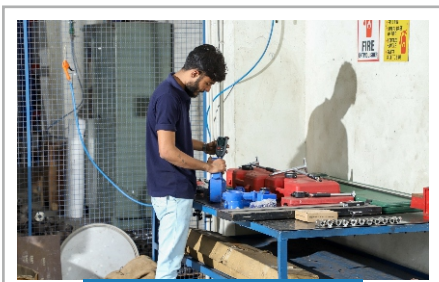
FINAL INSPECTION



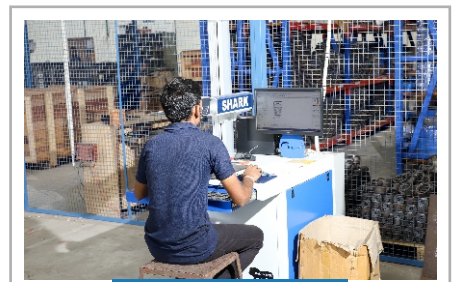
DRILLING



HYDRO TESTING



INWARD INSPECTION



LASER MARKING

Delivering Excellence



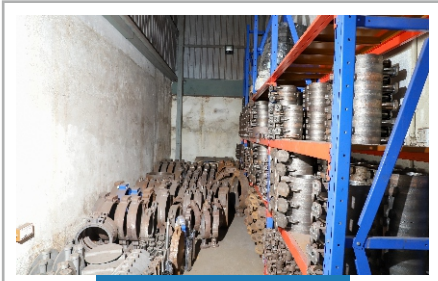
CASTING STORE



CASTING STORE



RAW MATERIAL STORE



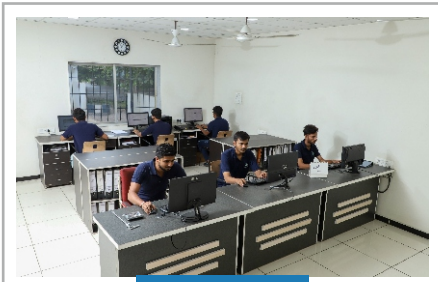
SEMI FINISH STORE



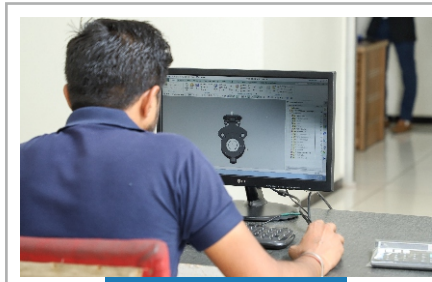
CASTING STORE



SEMI FINISH CASTING



OFFICE



VALVE DESIGNING



VALVE DESIGNING

MANUFACTURED BY
OMVAL CONTROLS PVT. LTD.



PASCAL VALVES	
sales@pascalvalves.in	
SIZE	4"
BODY/DISC	CI/CF8
SEAT	EPDM
STEM	SS410
RATING	PN10
SR. NO.	
Pascal Valves	

MARKETED BY

R-6, Setu Raw House, Nr. Kothari Automobiles,
Bh. Hasubhai Park, Jodhpur Gram Road, Satellite,
Ahmedabad - 380 015. Gujarat (INDIA).

M. : +91 90230 80173 / +91 99988 60676

+91 90230 85461 / +91 95588 03879

E. : sales@pascalvalves.in | www.pascalvalves.in

Delivering Excellence

PASCAL
VALVES